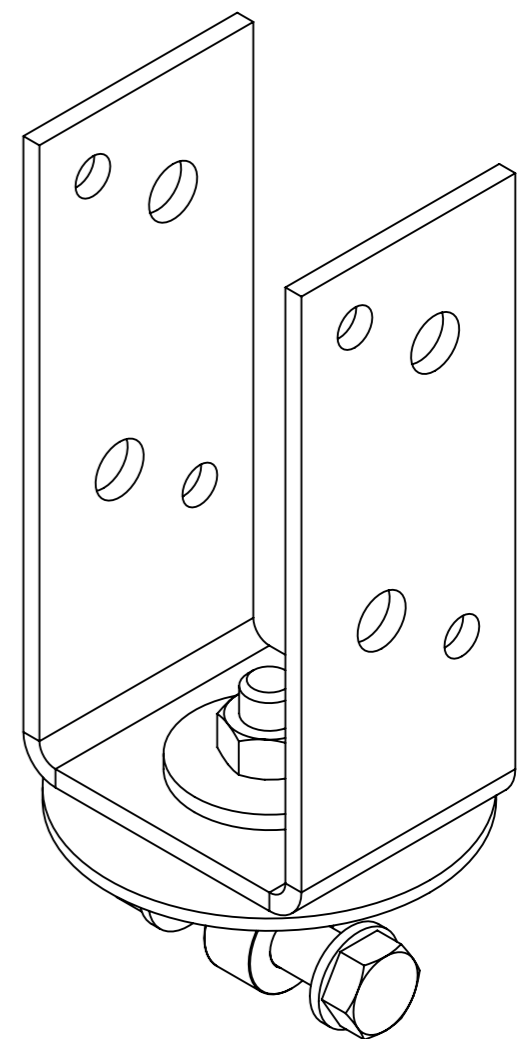
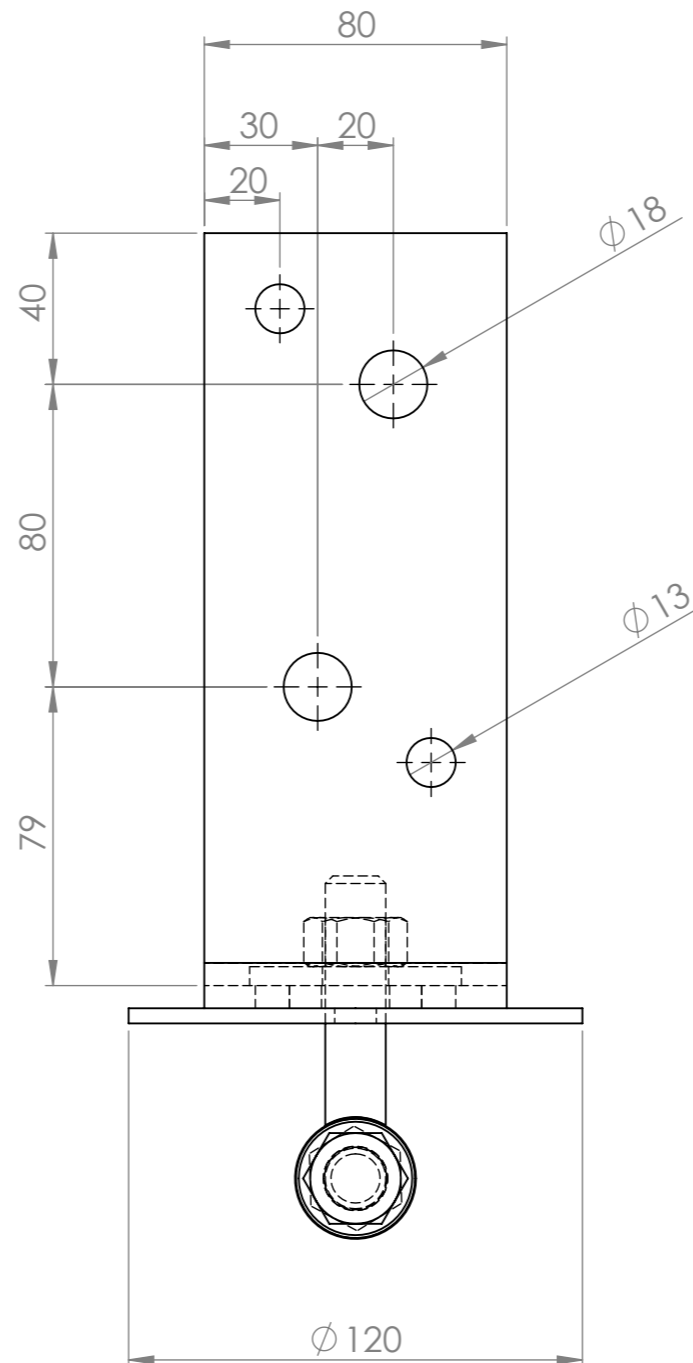
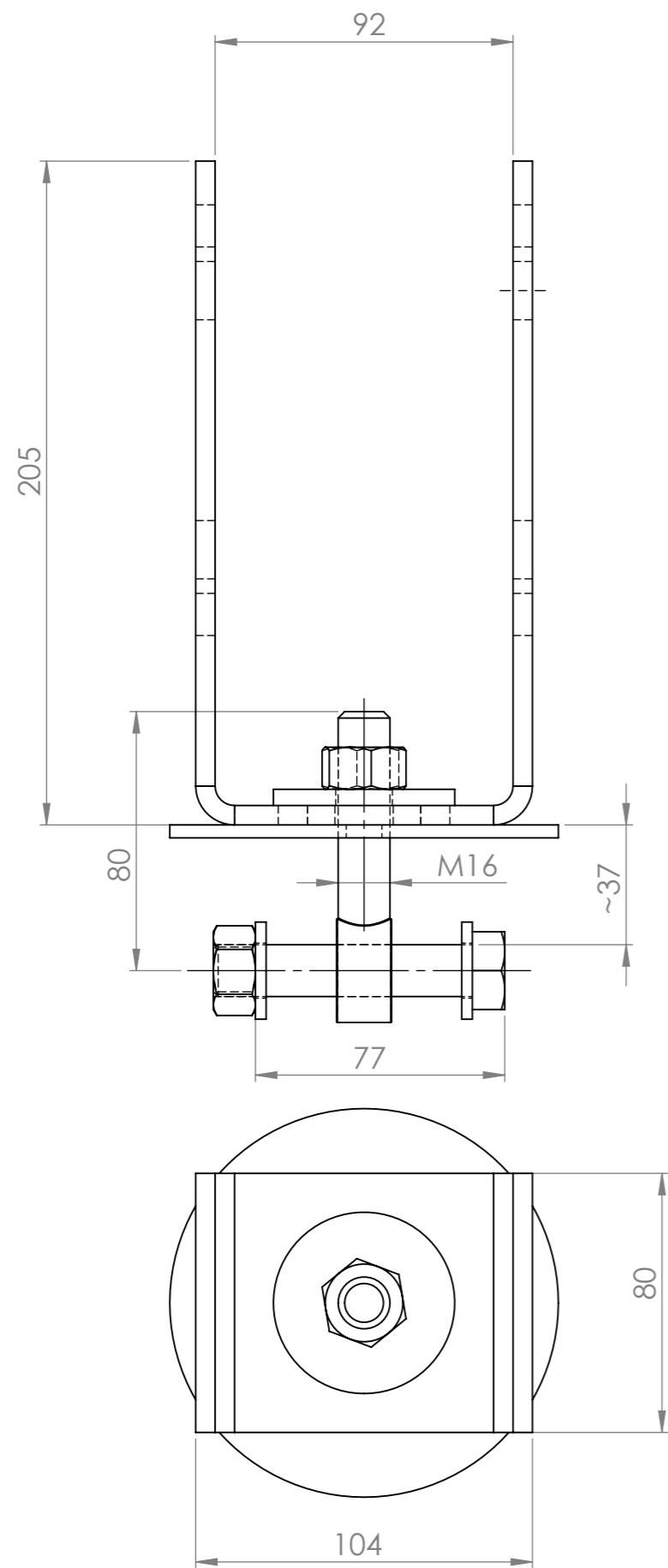


8 7 6 5 4 3 2 1

F
E
D
C
B
A

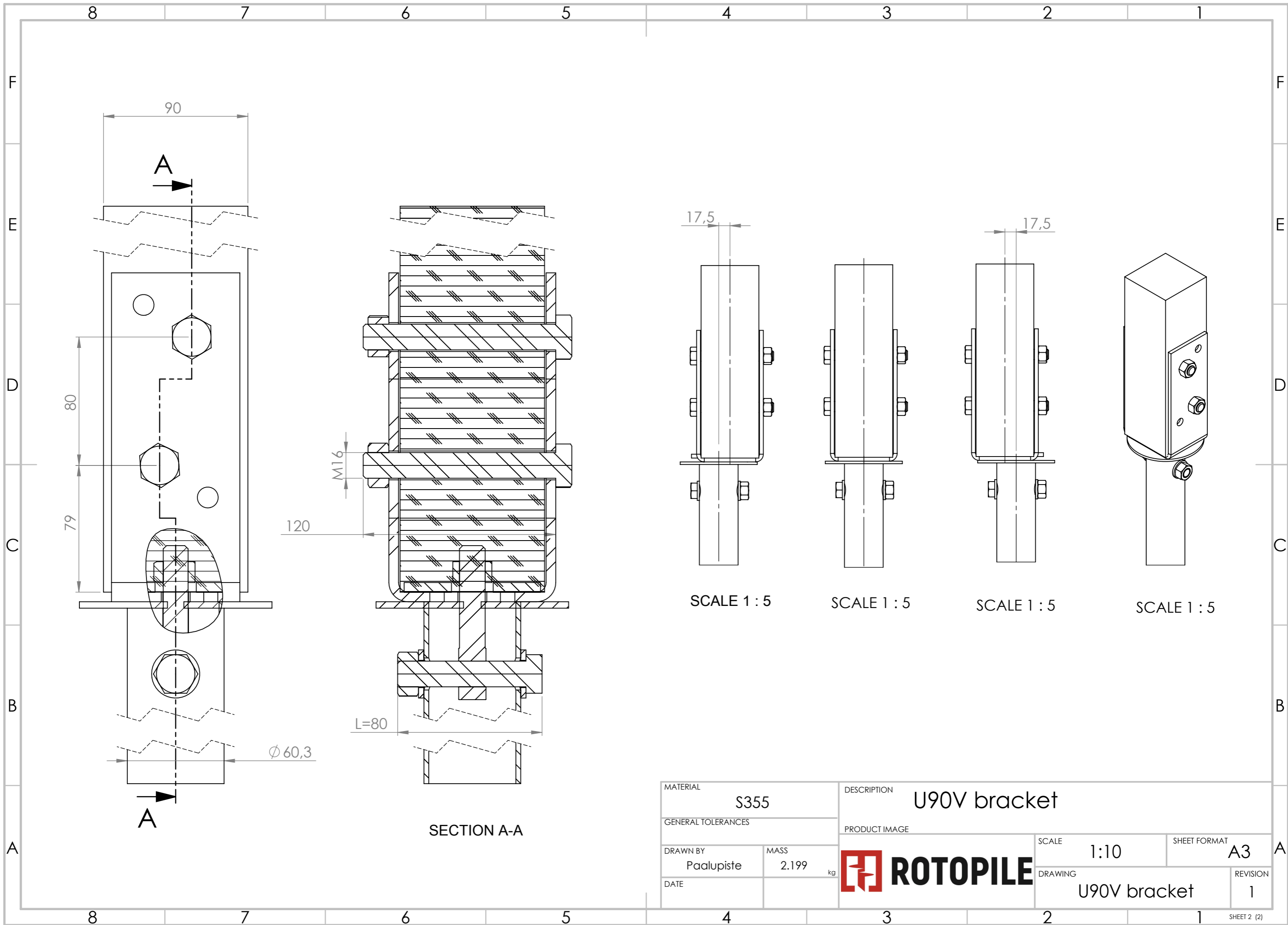


Implementation class EXC1.

MATERIAL		DESCRIPTION	
S355		U90V bracket	
GENERAL TOLERANCES		PRODUCT IMAGE	
DRAWN BY		SCALE	SHEET FORMAT
Paalupiste	MASS	1:10	A3
	2.199 kg	DRAWING	
DATE		U90V bracket	
		REVISION	
		1	



8 7 6 5 4 3 2 1



MATERIAL		S355		DESCRIPTION		U90V bracket	
GENERAL TOLERANCES				PRODUCT IMAGE			
DRAWN BY		MASS		SCALE		SHEET FORMAT	
Paalupiste		2.199 kg		1:10		A3	
DATE				DRAWING		REVISION	
				U90V bracket		1	

