

Implementation class EXC1.

MATERIAL S355

PRODUCT DESCRIPTION
U90-135H bracket

GENERAL TOLERANCE

PRODUCT IMAGE

DESIGNER
Paalupiste

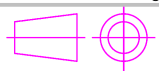
MASS
0.391 kg



SCALE 1:5

SIZE A4

DATE



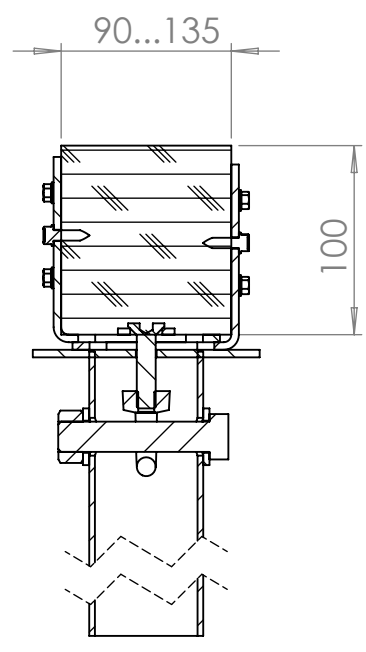
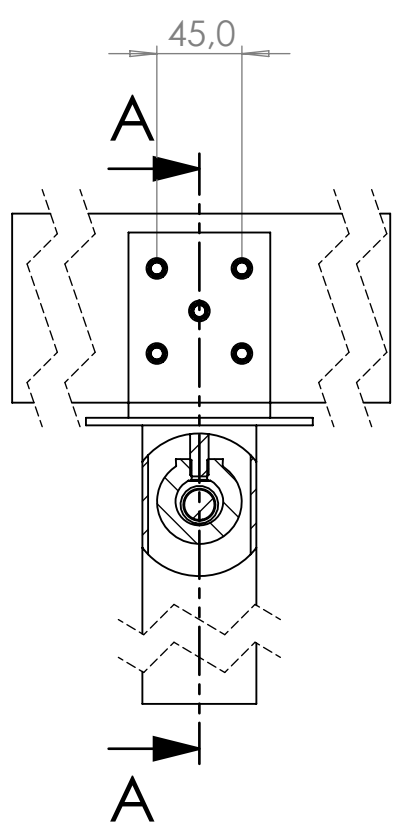
DRAWING NUMBER
U90-135H bracket

REVISION
1

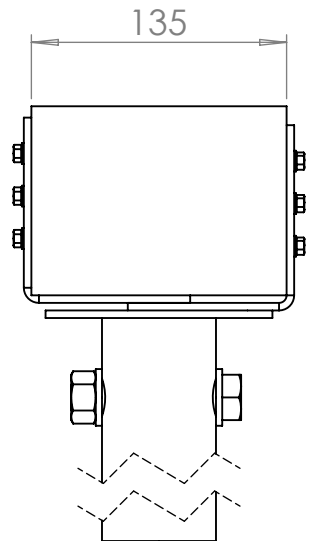
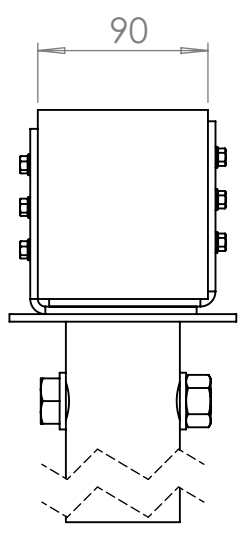
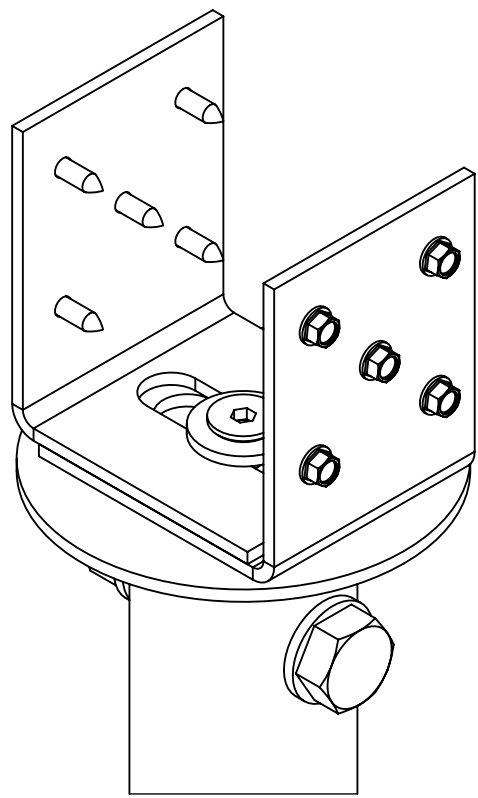
4 3 2 1

F
E
D
C
B

F
E
D
C
B



SECTION A-A



MATERIAL		S355		PRODUCT DESCRIPTION		U90-135H bracket		
GENERAL TOLERANCE				PRODUCT IMAGE				
A	DESIGNER	MASS	0.391 kg		SCALE	1:5	SHEET FORMAT	A4
	DATE				DRAWING NUMBER	U90-135H bracket 1		REVISION

4 3 2 1