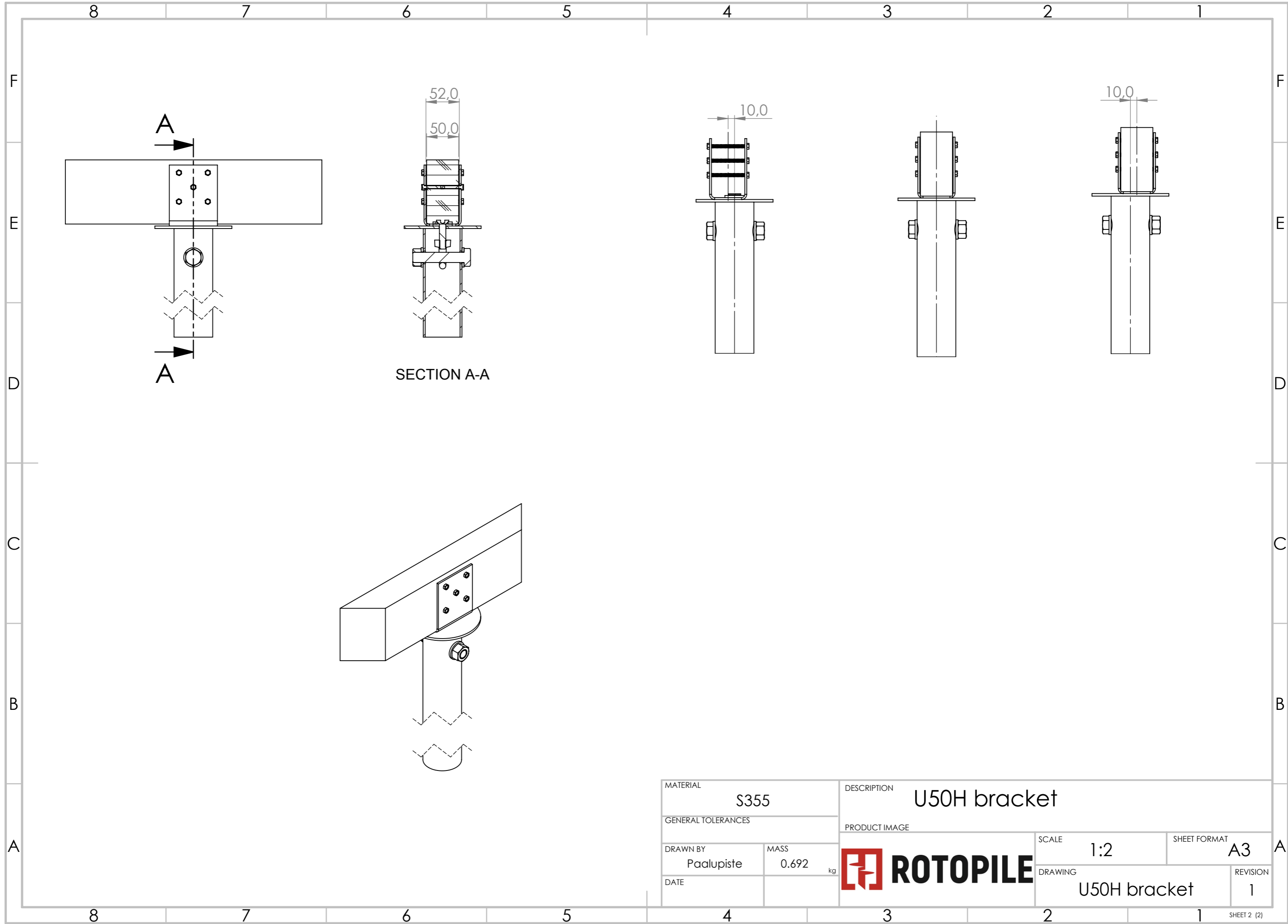



Implementation class EXC1.

MATERIAL S355		DESCRIPTION U50H bracket	
GENERAL TOLERANCES		PRODUCT IMAGE	
DRAWN BY Paalupiste	MASS 0.692 kg	SCALE 1:2	SHEET FORMAT A3
DATE		DRAWING U50H bracket	
		REVISION 1	





MATERIAL		S355		DESCRIPTION		U50H bracket	
GENERAL TOLERANCES				PRODUCT IMAGE			
DRAWN BY		PAALUPISTE		SCALE		1:2	
DATE		MASS		DRAWING		SHEET FORMAT	
		0.692 kg		U50H bracket		A3	
						REVISION	
						1	