

Implementation class EXC1.

MATERIAL S355		DESCRIPTION U100H bracket	
GENERAL TOLERANCES		PRODUCT IMAGE	
DRAWN BY Paalupiste	MASS 0.779 kg	SCALE 1:2	SHEET FORMAT A3
DATE		DRAWING U100H bracket	
		REVISION 1	



8 7 6 5 4 3 2 1

F F

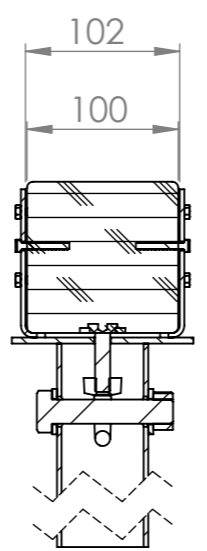
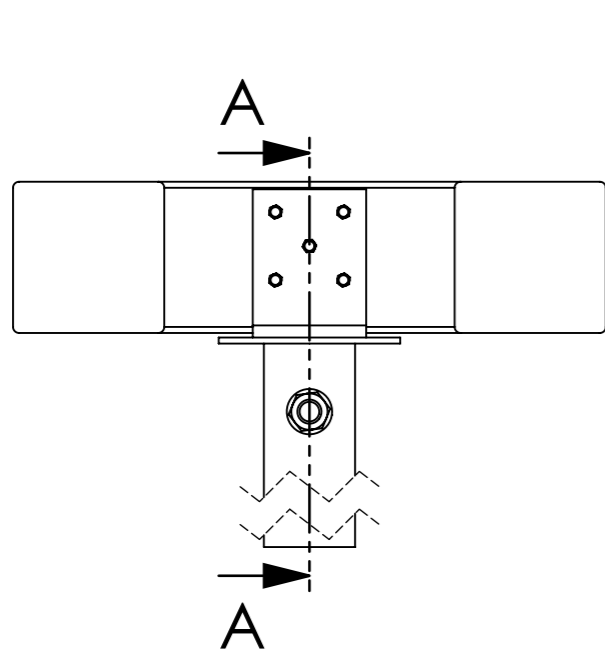
E E

D D

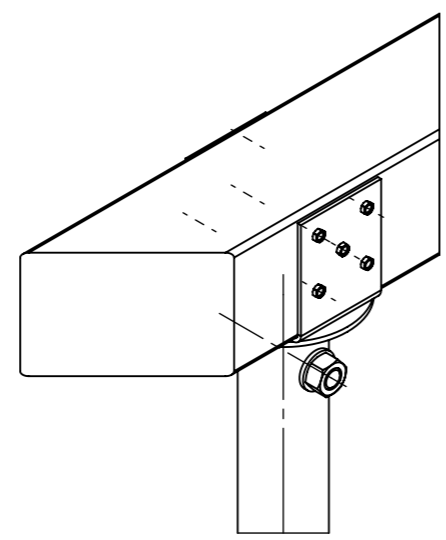
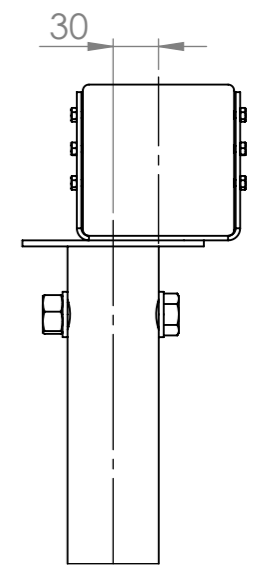
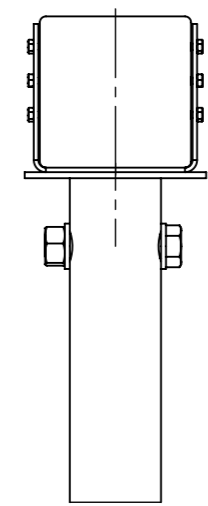
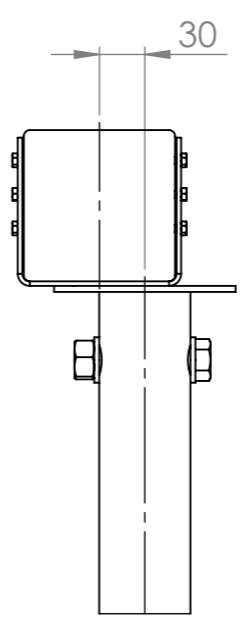
C C

B B

A A



SECTION A-A



MATERIAL		S355		DESCRIPTION		U100H bracket	
GENERAL TOLERANCES				PRODUCT IMAGE			
DRAWN BY		MASS		SCALE		SHEET FORMAT	
Paalupiste		0.779 kg		1:2		A3	
DATE				DRAWING		REVISION	
				U100H bracket		1	

