

4 3 2 1

F

F

E

E

D

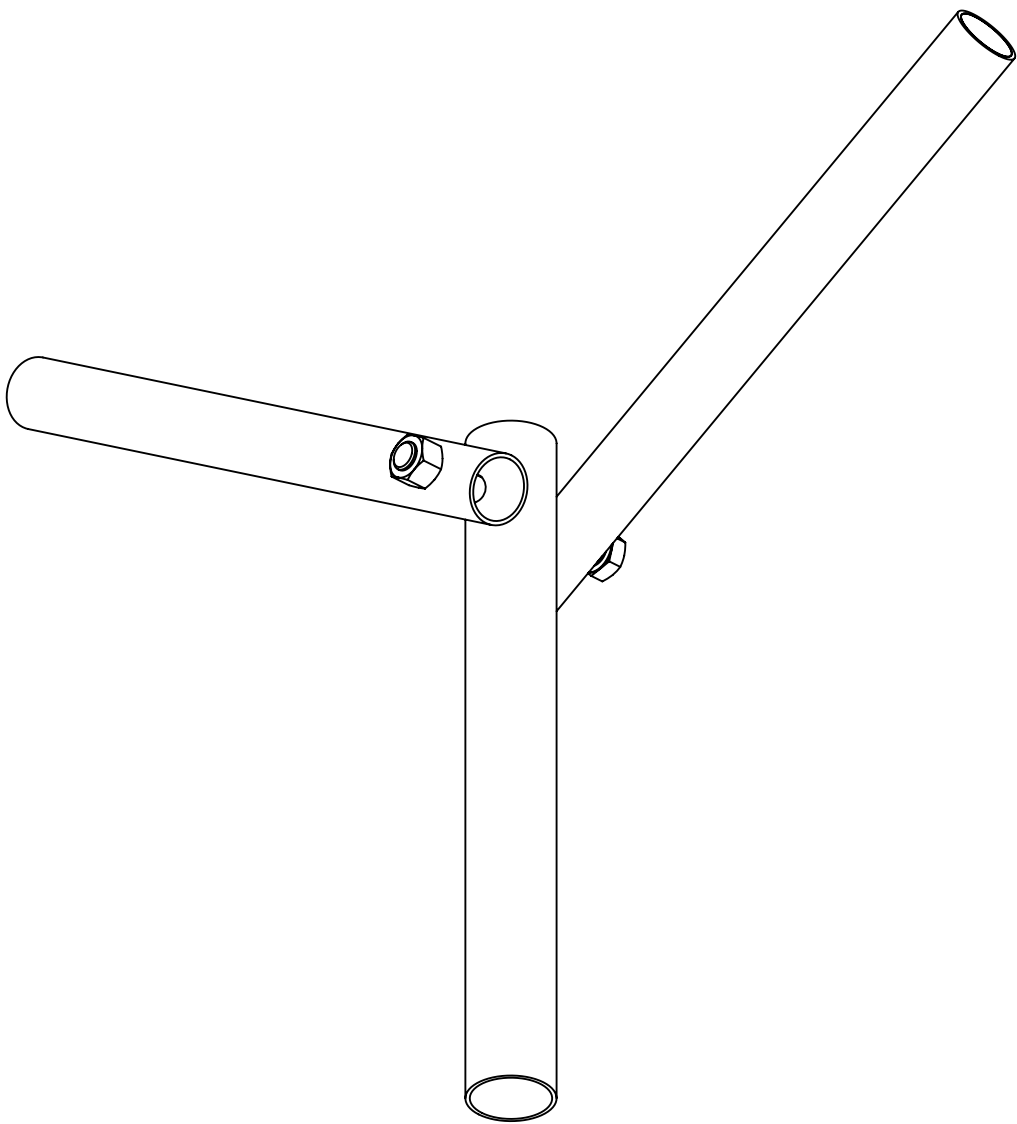
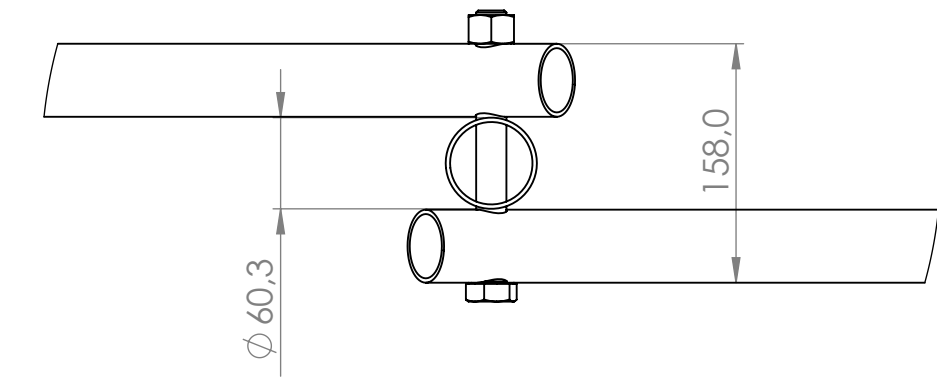
D

C

C

B

B



MATERIAL		S355		PRODUCT DESCRIPTION		SR100 installation tool	
GENERAL TOLERANCE				PRODUCT IMAGE			
A	DESIGNER	MASS	2.5 kg		SCALE	1:5	SHEET FORMAT
	DATE				DRAWING NUMBER	SR100 installation tool	REVISION

4 3 2 1