
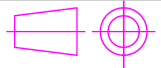


Implementation class EXC1.

MATERIAL		S355		PRODUCT DESCRIPTION		SK 60 bracket	
GENERAL TOLERANCE				PRODUCT IMAGE			
A	DESIGNER	MASS		SCALE	1:2	SHEET FORMAT	A4
	DATE			DRAWING NUMBER	SK 60 bracket	REVISION	1

4 3 2 1

F

F

E

E

D

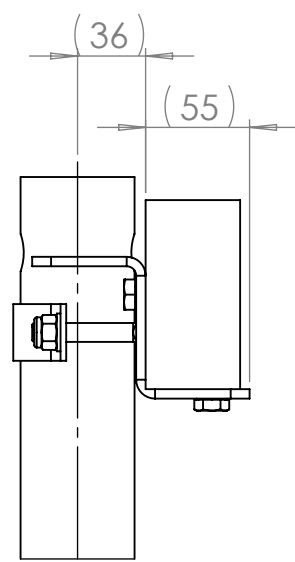
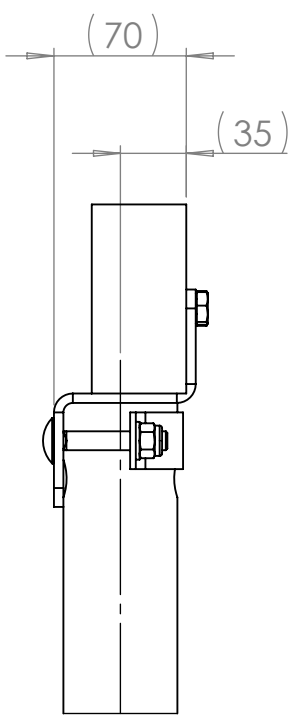
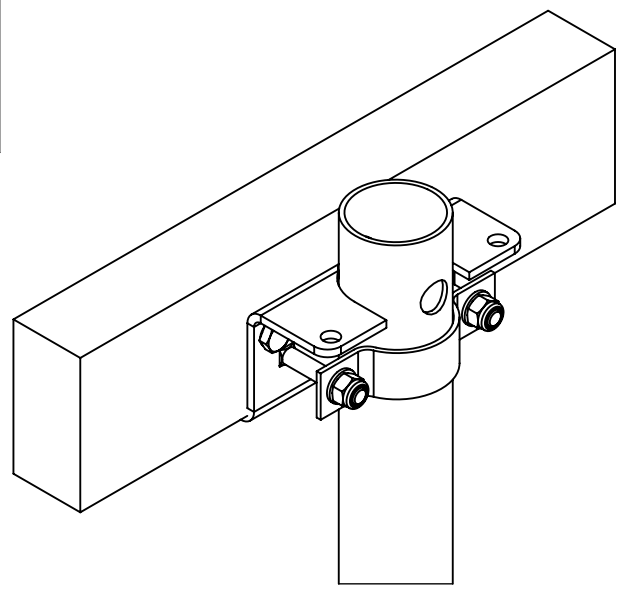
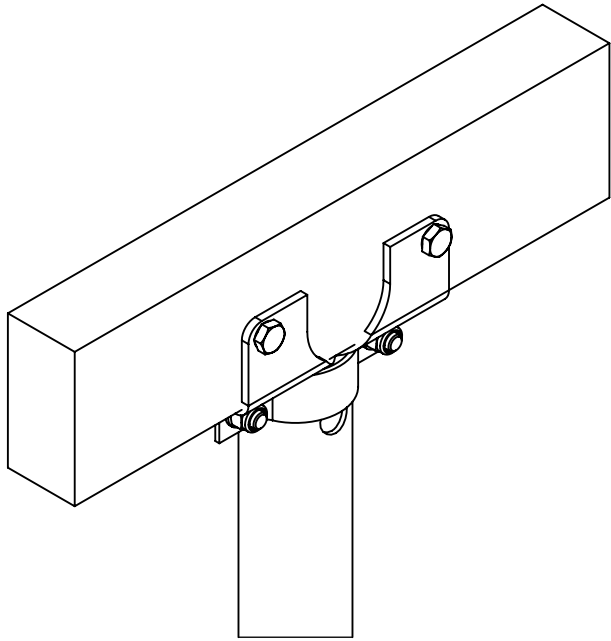
D

C

C

B

B



MATERIAL
S355

PRODUCT DESCRIPTION
SK 60 bracket

GENERAL TOLERANCE

PRODUCT IMAGE

DESIGNER
Paalupiste

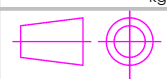
MASS
0.232 kg



SCALE
1:2

SHEET FORMAT
A4

DATE



DRAWING NUMBER
SK 60 bracket

REVISION
1

4 3 2 1