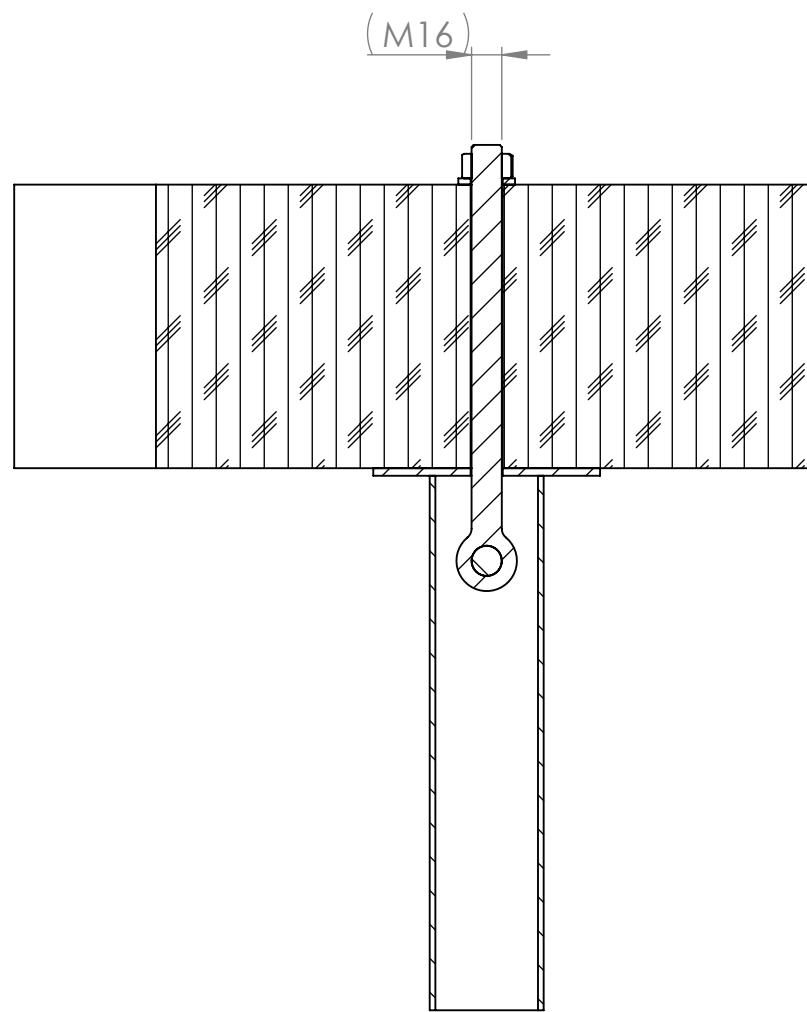
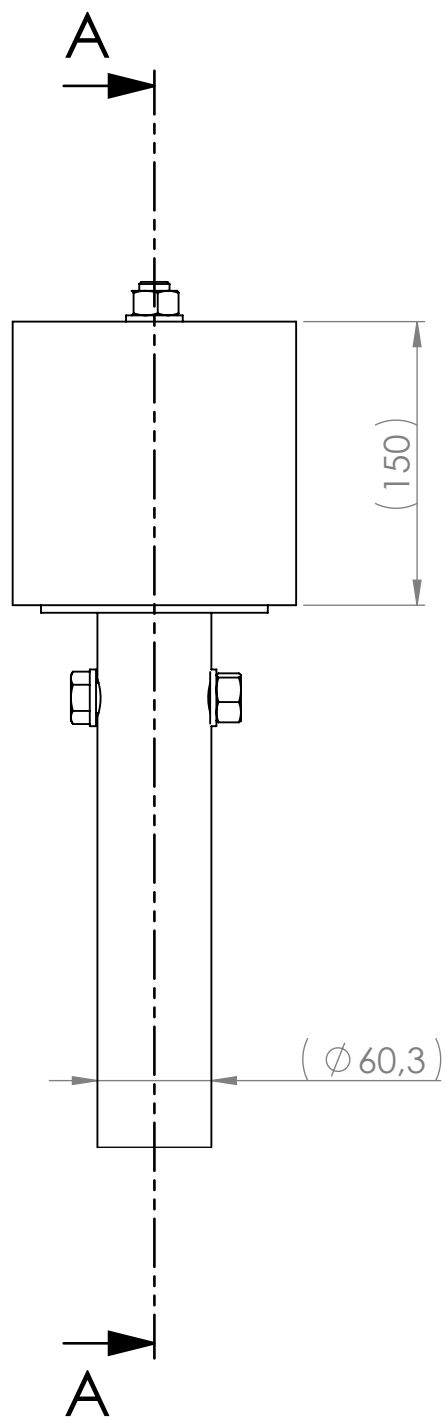
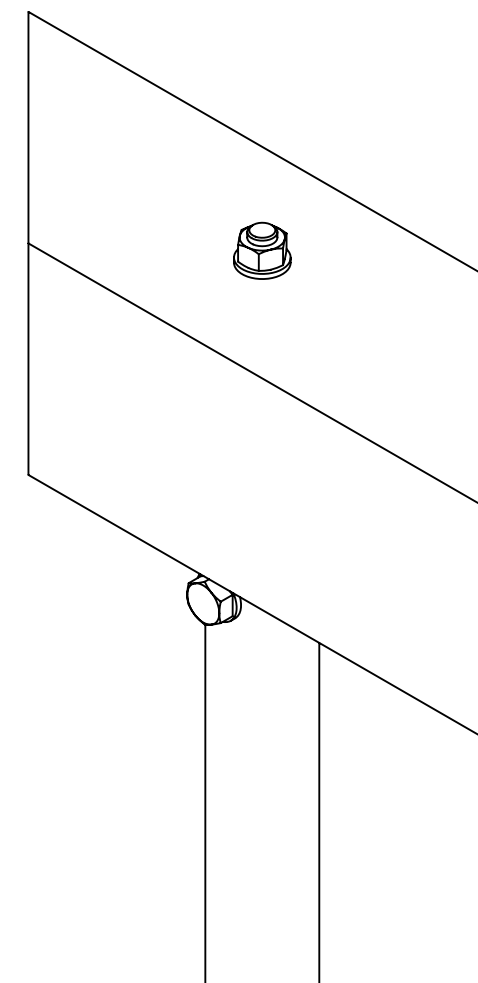


MATERIAL		S355		DESCRIPTION		P150 bracket	
GENERAL TOLERANCES				PRODUCT IMAGE			
DRAWN BY		MASS		SCALE		SHEET FORMAT	
Paalupiste		0.358 kg		1:5		A3	
DATE				DRAWING		REVISION	
				P150 bracket		1	





SECTION A-A



MATERIAL		S355		DESCRIPTION		P150 bracket	
GENERAL TOLERANCES				PRODUCT IMAGE			
DRAWN BY		PAALUPISTE		SCALE		1:5	
DATE				SHEET FORMAT		A3	
		MASS		DRAWING		P150 bracket	
		0.358 kg		REVISION		1	

