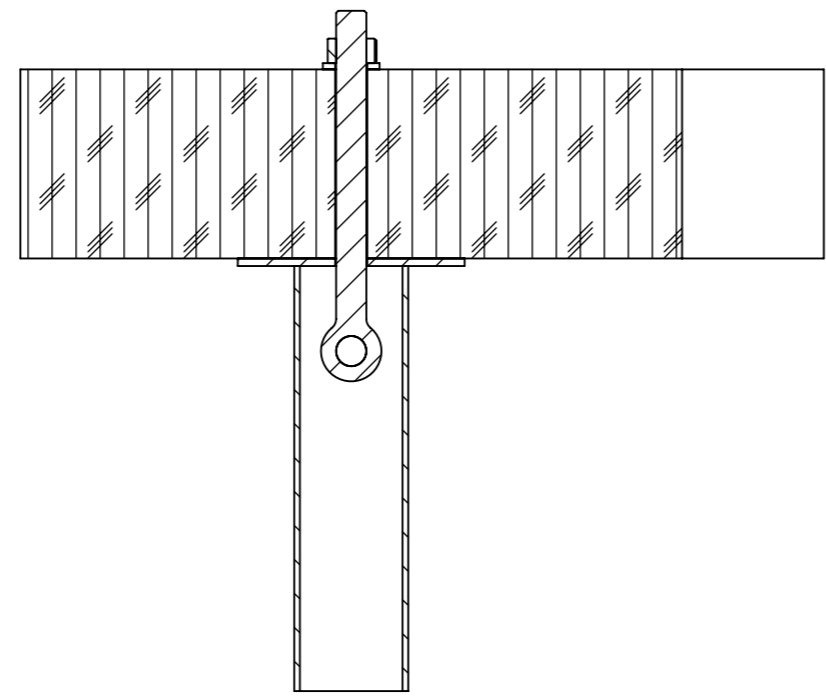
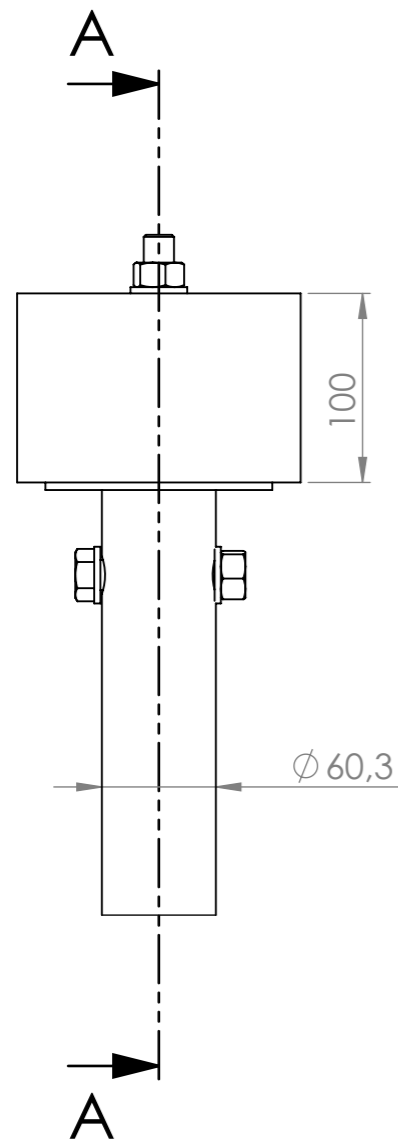
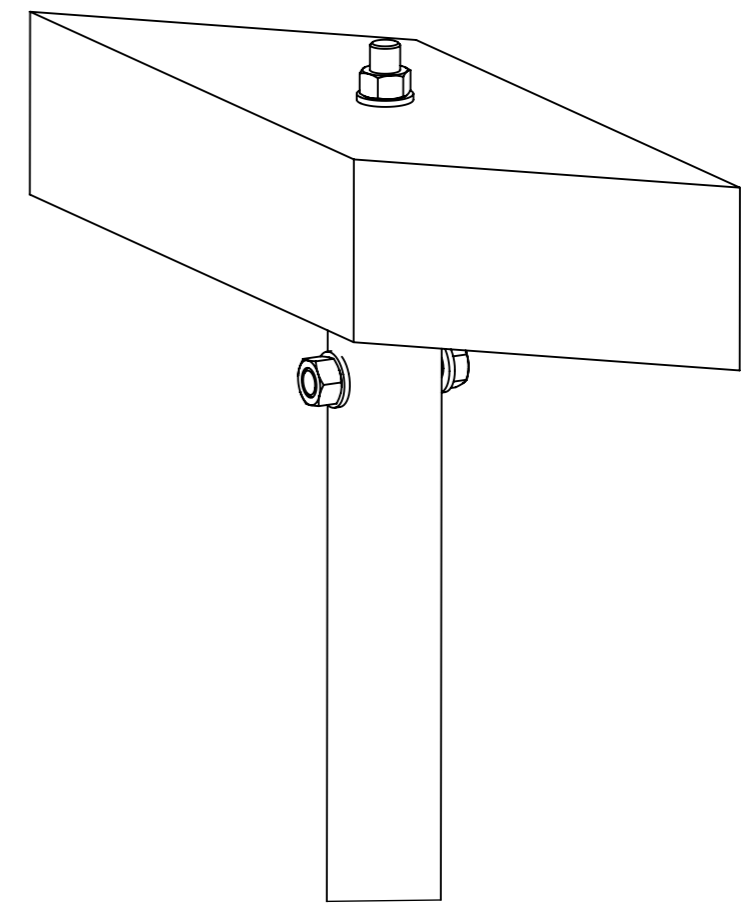


MATERIAL		S355		DESCRIPTION		P100 bracket	
GENERAL TOLERANCES				PRODUCT IMAGE			
DRAWN BY		MASS		SCALE		SHEET FORMAT	
Paalupiste		0.350 kg		1:2		A3	
DATE				DRAWING		REVISION	
				P100 bracket		1	





SECTION A-A



MATERIAL		S355		DESCRIPTION		P100 bracket	
GENERAL TOLERANCES				PRODUCT IMAGE			
DRAWN BY		MASS		SCALE		SHEET FORMAT	
Paalupiste		0.350 kg		1:2		A3	
DATE				DRAWING		REVISION	
				P100 bracket		1	

