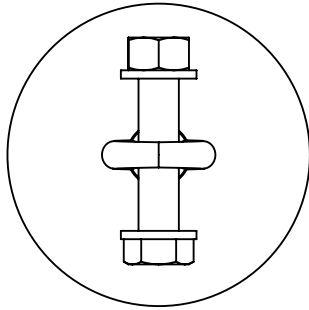
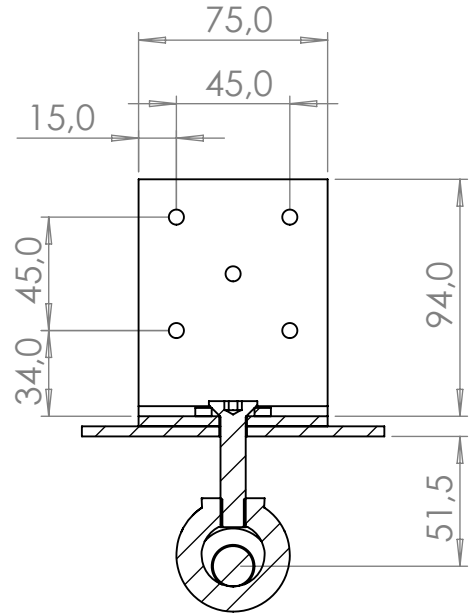
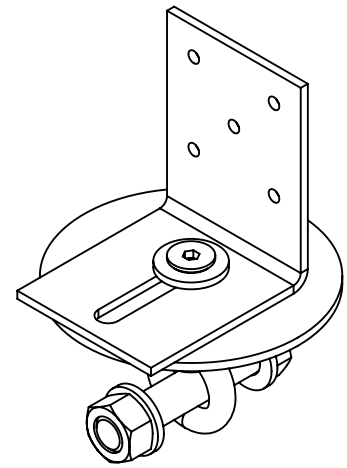
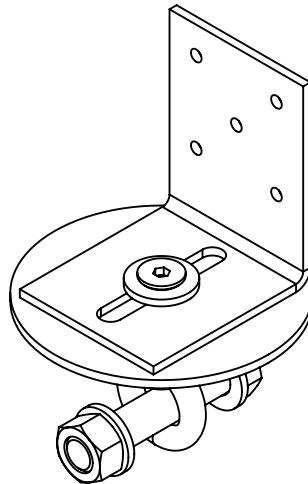
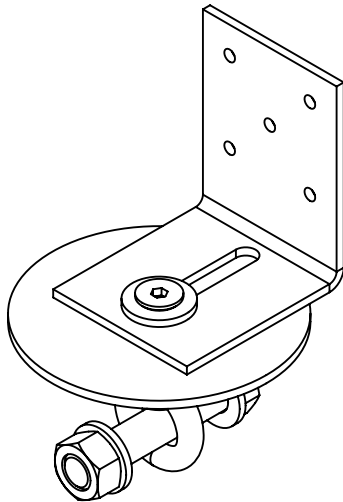


TOP



BOTTOM



Implementation class EXC1.

MATERIAL S355

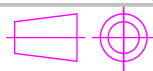
GENERAL TOLERANCES

PRODUCT DESCRIPTION
LH bracket

PRODUCT IMAGE

DESIGNER Paalupiste MASS 0.345 kg

DATE



SCALE 1:5

SHEET FORMAT A4

DRAWING NUMBER LH bracket

REVISION 1

4 3 2 1

F

F

E

E

D

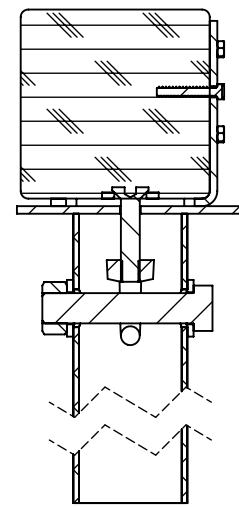
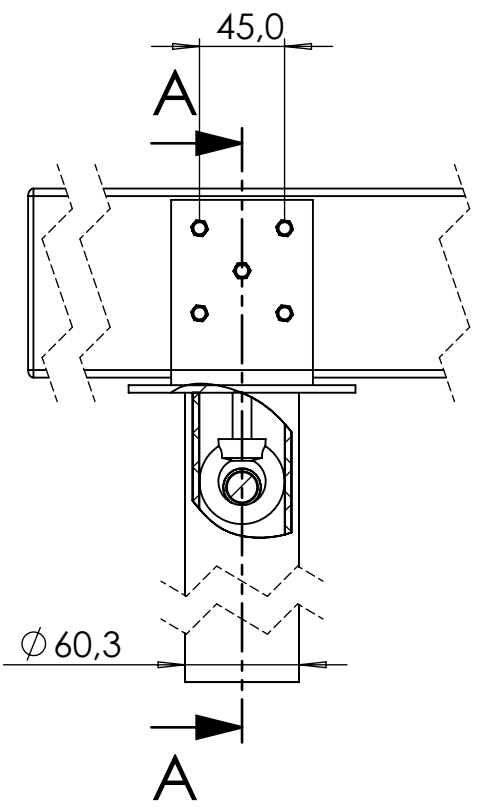
D

C

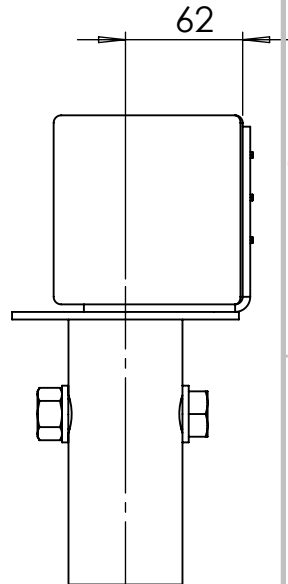
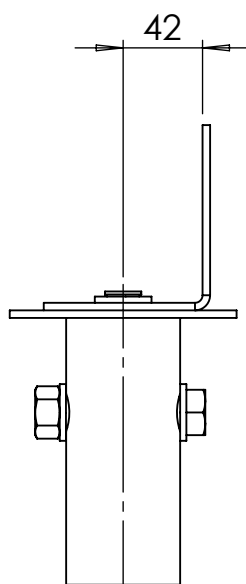
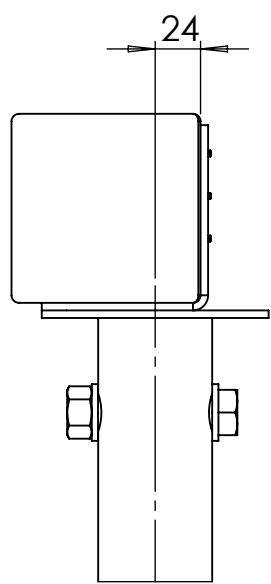
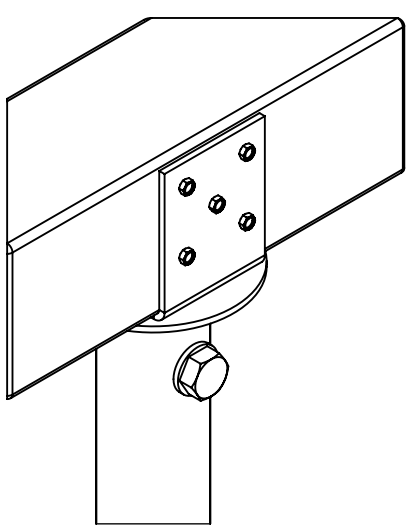
C

B

B



SECTION A-A



MATERIAL S355

PRODUCT DESCRIPTION LH bracket

GENERAL TOLERANCE

PRODUCT IMAGE

DESIGNER Paalupiste

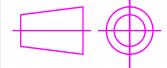
MASS 0.345 kg



SCALE 1:5

SHEET FORMAT A4

DATE



DRAWING NUMBER LH bracket

REVISION 1

4 3 2 1