

MATERIAL
S355

GENERAL TOLERANCE

PRODUCT DESCRIPTION
L2 bracket

PRODUCT IMAGE

SCALE
1:3

SHEET FORMAT
A4

DESIGNER
Paalupiste

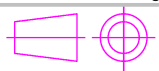
MASS
1.26 kg



DRAWING NUMBER
L2 bracket

REVISION
1

DATE

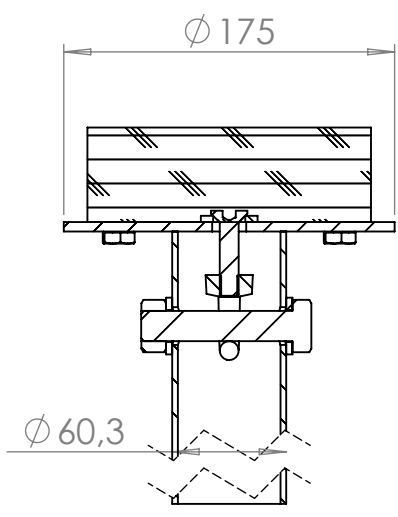
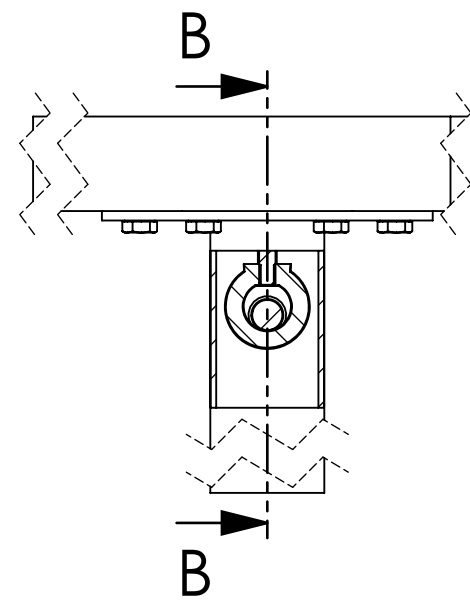


4

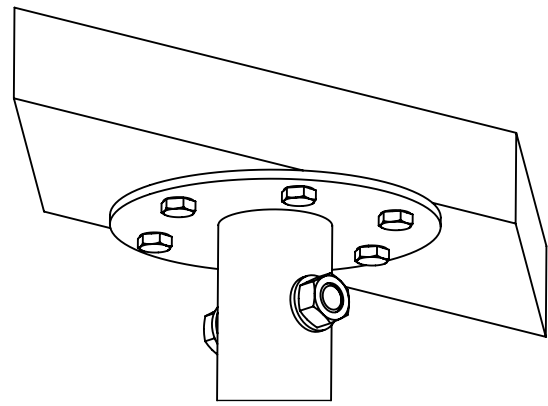
3

2

1



SECTION B-B



MATERIAL
S355

PRODUCT DESCRIPTION
L2 bracket

GENERAL TOLERANCE

PRODUCT IMAGE

DESIGNER
Paalupiste

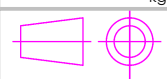
MASS
1.26 kg



SCALE
1:3

SHEET FORMAT
A4

DATE



DRAWING NUMBER
L2 bracket

REVISION
1