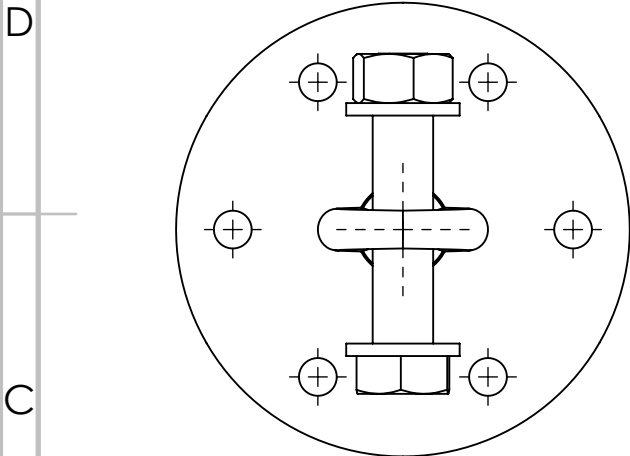
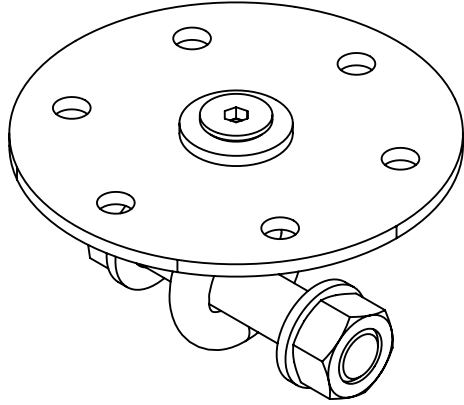


TOP

SECTION A-A



BOTTOM

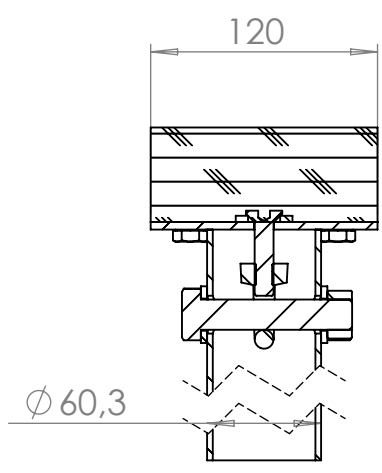
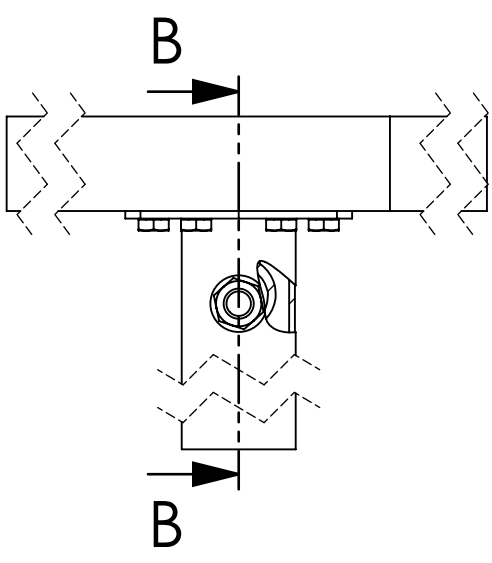


MATERIAL		S355		PRODUCT DESCRIPTION		L1 bracket		
GENERAL TOLERANCE				PRODUCT IMAGE				
A	DESIGNER	MASS			SCALE	1:2	SHEET FORMAT	A4
	DATE	1.15 kg			DRAWING NUMBER	L1 bracket	REVISION	1

4 3 2 1

F

F



SECTION B-B

E

E

D

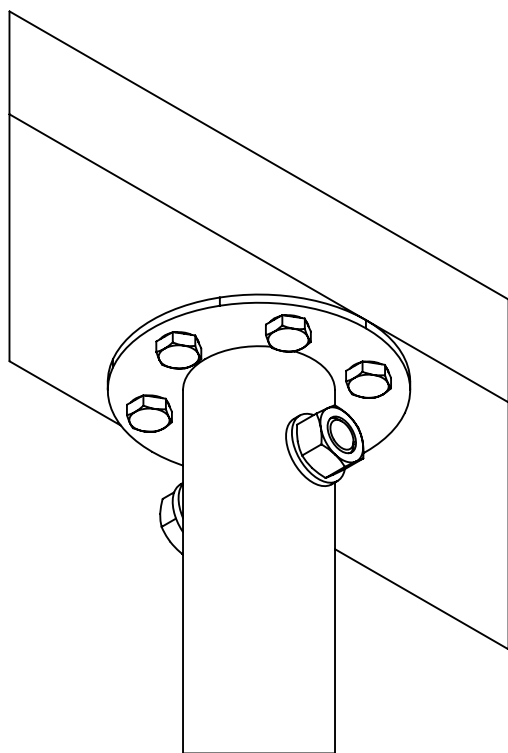
D

C

C

B

B



MATERIAL S355

PRODUCT DESCRIPTION L1 bracket

GENERAL TOLERANCE

PRODUCT IMAGE

SCALE 1:2

SHEET FORMAT A4

DESIGNER Paalupiste

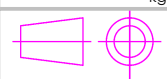
MASS 1.15 kg



DRAWING NUMBER L1 bracket

REVISION 1

DATE



4 3 2 1

A

A