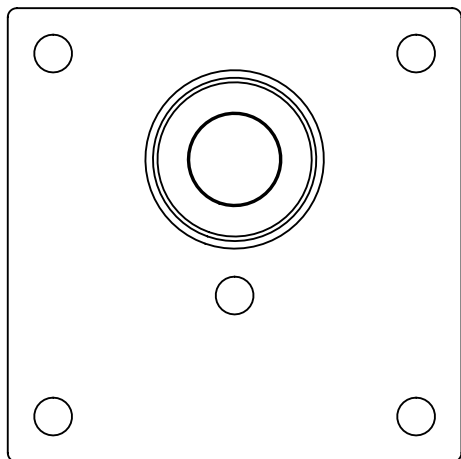
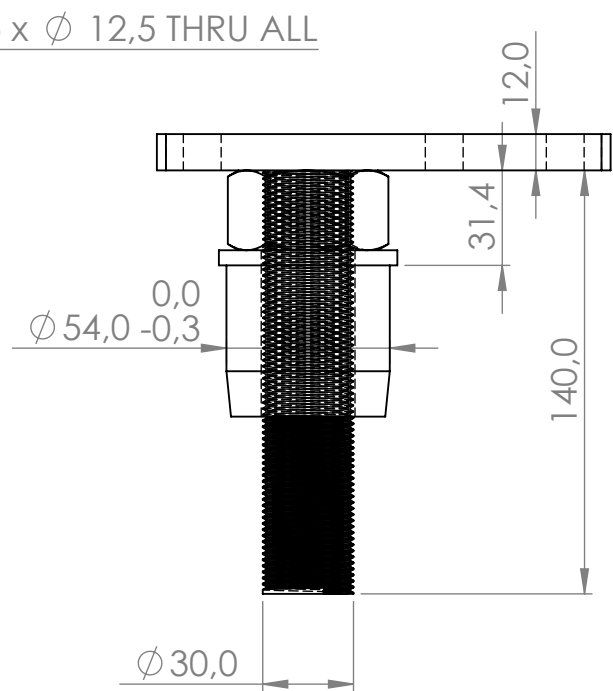
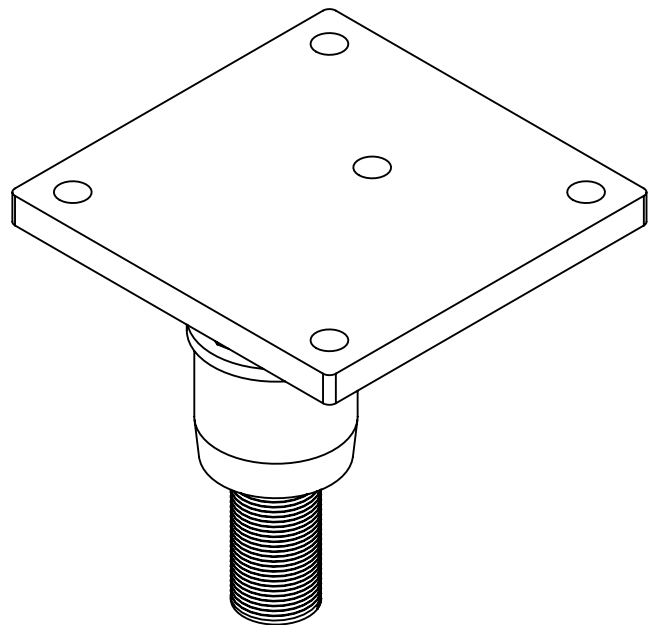


TOP



BOTTOM



MATERIAL
S355

PRODUCT DESCRIPTION
KSL150_0-100 bracket

GENERAL TOLERANCE

PRODUCT IMAGE

DESIGNER
Paalupiste

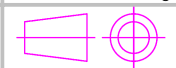
MASS
2.370 kg



SCALE
1:2.5

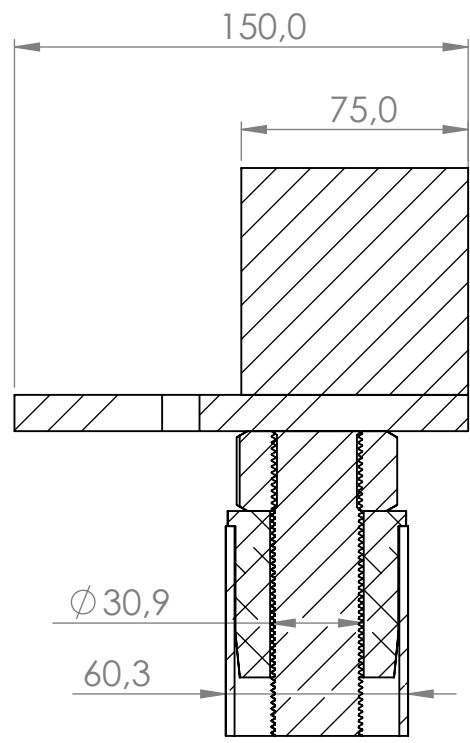
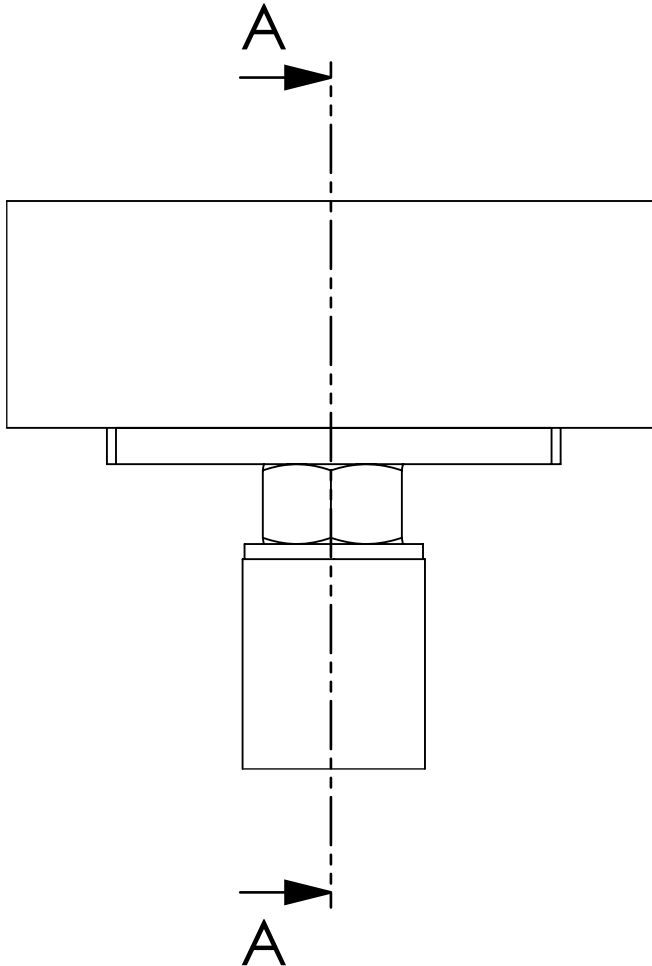
SHEET FORMAT
A4

DATE

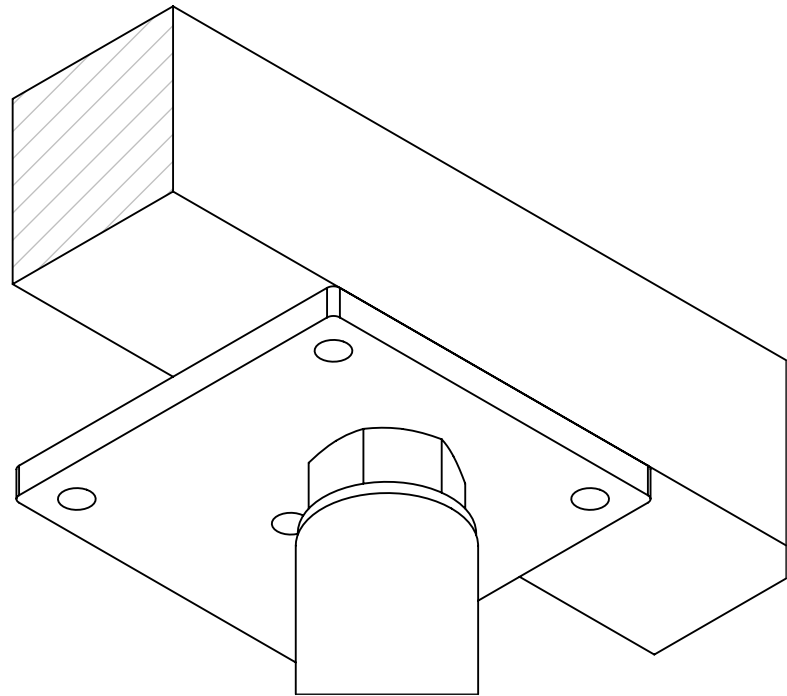


DRAWING NUMBER
KSL150_0-100 bracket

REVISION
1



SECTION A-A



MATERIAL
S355

PRODUCT DESCRIPTION
KSL150_0-100 bracket

GENERAL TOLERANCE

PRODUCT IMAGE

DESIGNER
Paalupiste

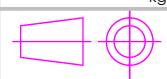
MASS
2.370 kg



SCALE
1:2.5

SHEET FORMAT
A4

DATE



DRAWING NUMBER
KSL150_0-100 bracket

REVISION
1