
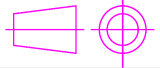
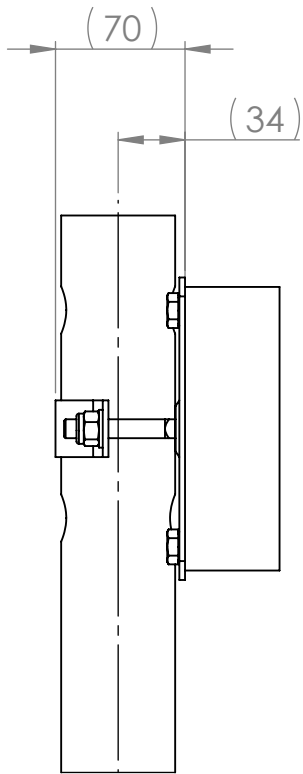
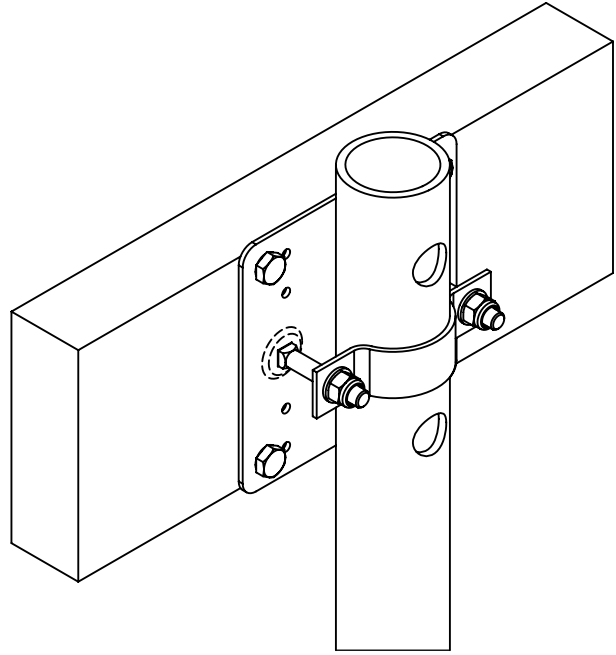
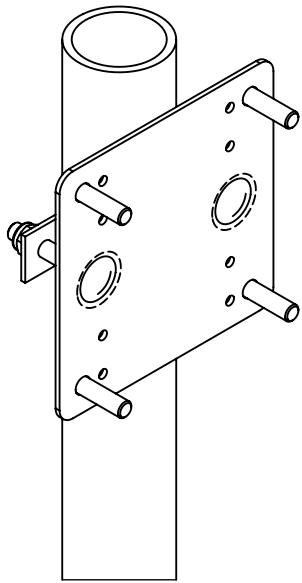


Implementation class EXC1.

| | | | | | | | |
|-------------------|------------|---|--|---------------------|-----|---------------|--|
| MATERIAL | | S355 | | PRODUCT DESCRIPTION | | DIA60 bracket | |
| GENERAL TOLERANCE | | | | PRODUCT IMAGE | | | |
| A | DESIGNER | MASS |  | SCALE | 1:3 | SHEET FORMAT | |
| | Paalupiste | 0.192 kg | | DRAWING NUMBER | | A4 | |
| DATE | |  | | DIA60 bracket | | REVISION | |
| | | | | | | 1 | |



MATERIAL
S355

GENERAL TOLERANCE

PRODUCT DESCRIPTION
DIA60 bracket

PRODUCT IMAGE

SCALE
1:3

SHEET FORMAT
A4

DESIGNER
Paalupiste

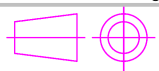
MASS
0.192 kg



DRAWING NUMBER
DIA60 bracket

REVISION
1

DATE



4

3

2

1

SHEET 2 (2)